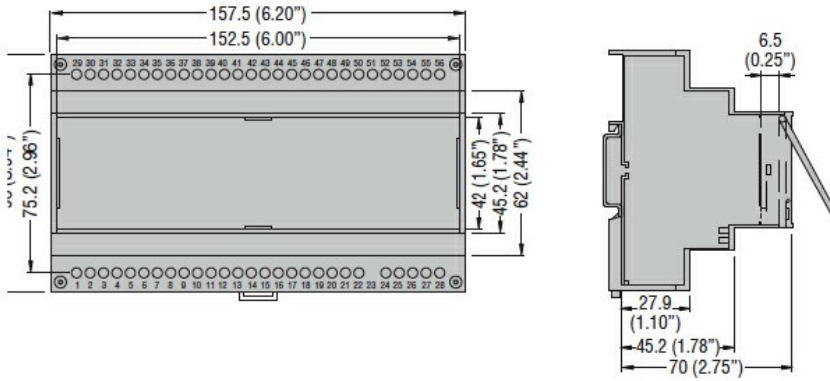




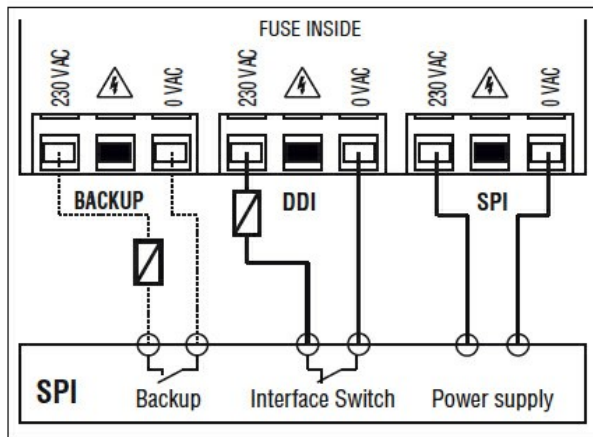
Product designation	Backup power supply for IP units		
Product type designation	PMVFUPS01		
General characteristics			
Description	Backup power supply without interruption, full static technology		
Type of system	Single phase		
Power supply			
Auxiliary supply voltage Us	230VAC		
Operating voltage range	196...264VAC		
Rated frequency	Hz	50	
Operational frequency	min	Hz	45
	max	Hz	55
Protection	Fuse 6.3A (5x20)		
Power outputs			
Voltage	230VAC		
Frequency	Hz	50	
Protection	Fuse 5A(5x20) + PTC		
Power	VA	250 x 1s; 1250 per 200ms	
Available energy	Ws	200	
Time to store energy	15s		
Connections			
Terminals type	Fixed		
Tightening torque for terminals	max	Nm	0.5
	max	Ibin	4.5
Conductor cross section	AWG/Kcmil	min	AWG 24
		Max	AWG 12
	IEC	min	mm ² 0.2
		Max	mm ² 2.5
Ambient conditions			
Temperature	Operating temperature	min	°C -5
		max	°C +55
Housing			
Execution (n° of modules)	9		

Mounting		DIN rail EN 50022
IEC degree of protection		IP20
Dimensions (W x H x D)	mm	157.5 x 90 x 70
Weight	g	500

Dimensions



Wiring diagrams



Certifications and compliance

Compliance

IEC/EN/BS 61010-1