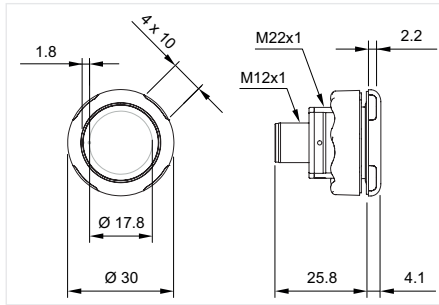


# 84 Flush design

## IO-Link Touch Standard, IP69K

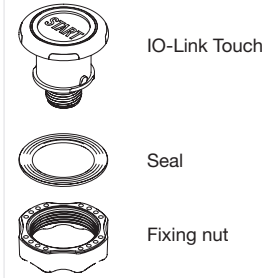


Product can differ from the current configuration.



Dimensions [mm]

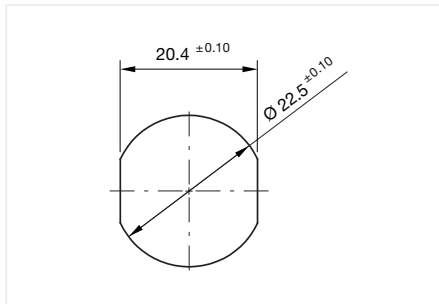
### Equipment consisting of (schematic overview)



Each Part Number listed below includes all the black components shown in the 3D-drawing.

### General information

- Actuation type: Touch
- Actuating force: No actuating force necessary
- Circuit: Capacitive
- Communication interface: IO-Link Specification 1.1
- Connector: M12



Mounting cut-outs [mm]

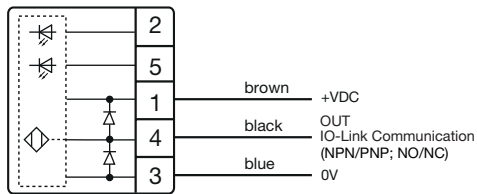


### IO-Link Touch Standard, Front dimension Ø 30 mm

Front bezel material	Output	Output pulse	LED control	Preconfigured Led colour 1	Preconfigured Led colour 2	Symbol	Part No.
Plastic	PNP-NO	Dynamic	Automatic	Green	Red	B10	84-ASKS-B10-049C
						B11	84-ASKS-B11-049D
						B12	84-ASKS-B12-049E
						B13	84-ASKS-B13-049F
						B14	84-ASKS-B14-04A0
						B15	84-ASKS-B15-04A1
						C10	84-ASKS-C10-04A2
						C11	84-ASKS-C11-04A3
						C12	84-ASKS-C12-04A4
						C14	84-ASKS-C14-04A5
						C16	84-ASKS-C16-04A6
						C17	84-ASKS-C17-04A7
						C18	84-ASKS-C18-04A8
						C19	84-ASKS-C19-04A9
						C20	84-ASKS-C20-049B

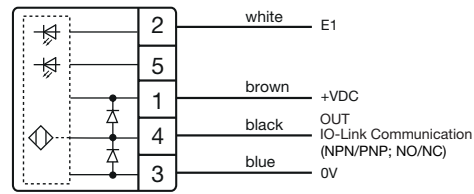
## Wiring diagrams

3-pole



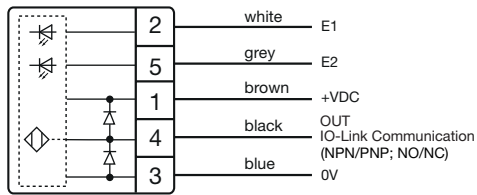
Wiring diagram 466

4-pole



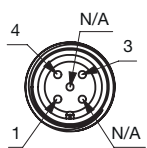
Wiring diagram 467

5-pole



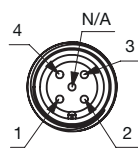
Wiring diagram 468

## Component layouts



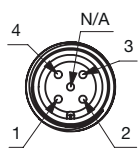
Component layout 109

Connector M12 3-pole



Component layouts 110

Connector M12 4-pole



Component layouts 111

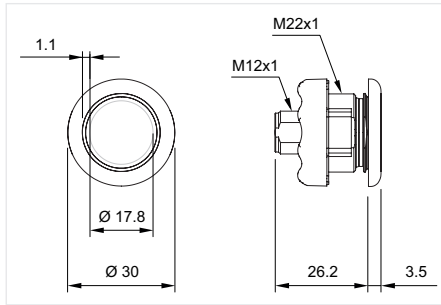
Connector M12 5-pole

- 01
- 02
- 03
- 04
- 09
- 14
- 17
- 18
- 19
- 22
- 31
- 41
- 45
- 51
- 56
- 57
- 61
- 70
- 71
- 82
- 84**
- 92
- 96

## IO-Link Touch Stainless Steel, IP69K

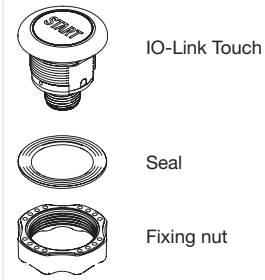


Product can differ from the current configuration.



Dimensions [mm]

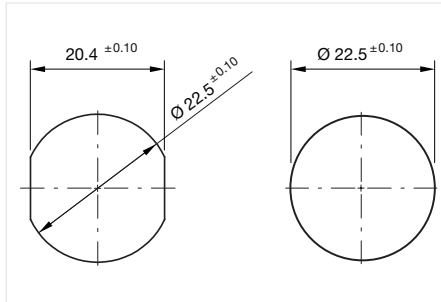
### Equipment consisting of (schematic overview)



Each Part Number listed below includes all the black components shown in the 3D-drawing.

### General information

- Actuation type: Touch
- Actuating force: No actuating force necessary
- Circuit: Capacitive
- Communication interface: IO-Link Specification 1.1
- Connector: M12



Mounting cut-outs [mm]

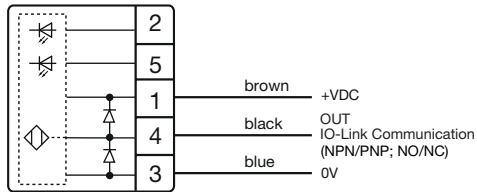


### IO-Link Touch Stainless Steel, Front dimension Ø 30 mm

Front bezel material	Output	Output pulse	LED control	Preconfigured Led colour 1	Preconfigured Led colour 2	Symbol	Part No.
Stainless Steel SUS 316L	PNP-NO	Dynamic	Automatic	Green	Red	B10	84-ADKS-B10-04AA
						B11	84-ADKS-B11-04AB
						B12	84-ADKS-B12-04AC
						B13	84-ADKS-B13-04AD
						B14	84-ADKS-B14-04AE
						B15	84-ADKS-B15-04AF
						C10	84-ADKS-C10-04B0
						C11	84-ADKS-C11-04B1
						C12	84-ADKS-C12-04B2
						C14	84-ADKS-C14-04B3
						C16	84-ADKS-C16-04B4
						C17	84-ADKS-C17-04B5
						C18	84-ADKS-C18-04B6
						C19	84-ADKS-C19-04B7
						C20	84-ADKS-C20-04B8

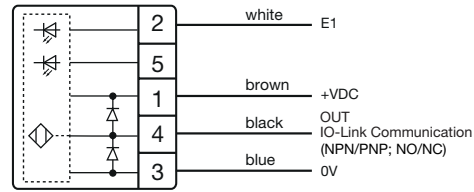
## Wiring diagrams

3-pole



Wiring diagram 466

4-pole



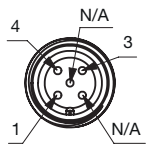
Wiring diagram 467

5-pole



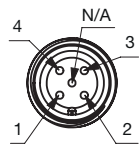
Wiring diagram 468

## Component layouts



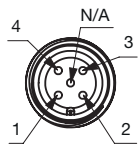
Component layout 109

Connector M12 3-pole



Component layouts 110

Connector M12 4-pole



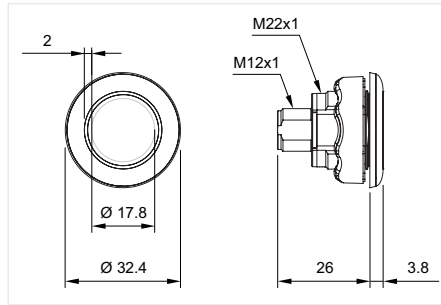
Component layouts 111

Connector M12 5-pole

## IO-Link Touch Hygienic, IP69K

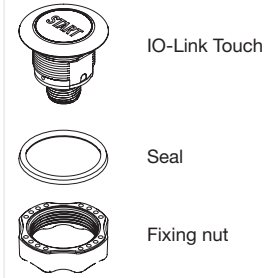


Product can differ from the current configuration.



Dimensions [mm]

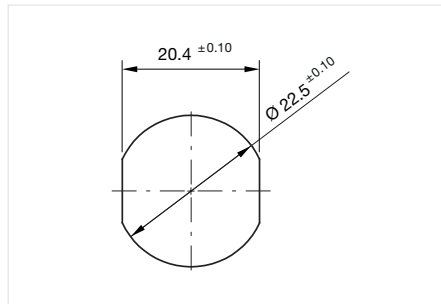
### Equipment consisting of (schematic overview)



Each Part Number listed below includes all the black components shown in the 3D-drawing.

### General information

- Actuation type: Touch
- Actuating force: No actuating force necessary
- Circuit: Capacitive
- Communication interface: IO-Link Specification 1.1
- Connector: M12



Mounting cut-outs [mm]

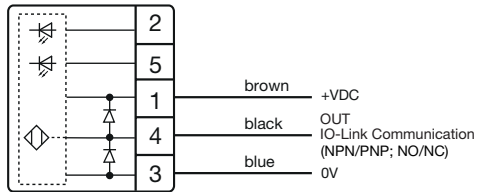


### IO-Link Touch Hygienic, Front dimension Ø 30 mm

Front bezel material	Output	Output pulse	LED control	Preconfigured Led colour 1	Preconfigured Led colour 2	Symbol	Part No.
Stainless Steel SUS 316L	Dynamic	Automatic	Green	Red	Rot	B10	84-ACKS-B10-04B9
						B11	84-ACKS-B11-04BA
						B12	84-ACKS-B12-04BB
						B13	84-ACKS-B13-04BC
						B14	84-ACKS-B14-04BD
						B15	84-ACKS-B15-04BE
						C10	84-ACKS-C10-04BF
						C11	84-ACKS-C11-04C0
						C12	84-ACKS-C12-04C1
						C14	84-ACKS-C14-04C2
						C16	84-ACKS-C16-04C3
						C17	84-ACKS-C17-04C4
						C18	84-ACKS-C18-04C5
						C19	84-ACKS-C19-04C6
						C20	84-ACKS-C20-04C7

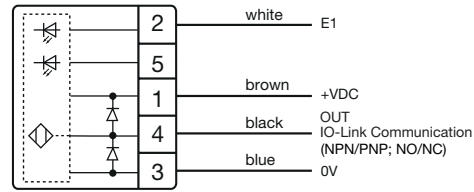
## Wiring diagrams

3-pole



Wiring diagram 466

4-pole



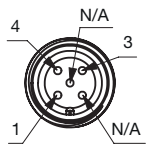
Wiring diagram 467

5-pole



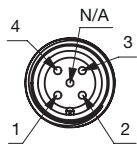
Wiring diagram 468

## Component layouts



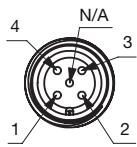
Component layout 109

Connector M12 3-pole



Component layouts 110

Connector M12 4-pole



Component layouts 111

Connector M12 5-pole

- 01
- 02
- 03
- 04
- 09
- 14
- 17
- 18
- 19
- 22
- 31
- 41
- 45
- 51
- 56
- 57
- 61
- 70
- 71
- 82
- 84**
- 92
- 96